



■ Technical Specifications:

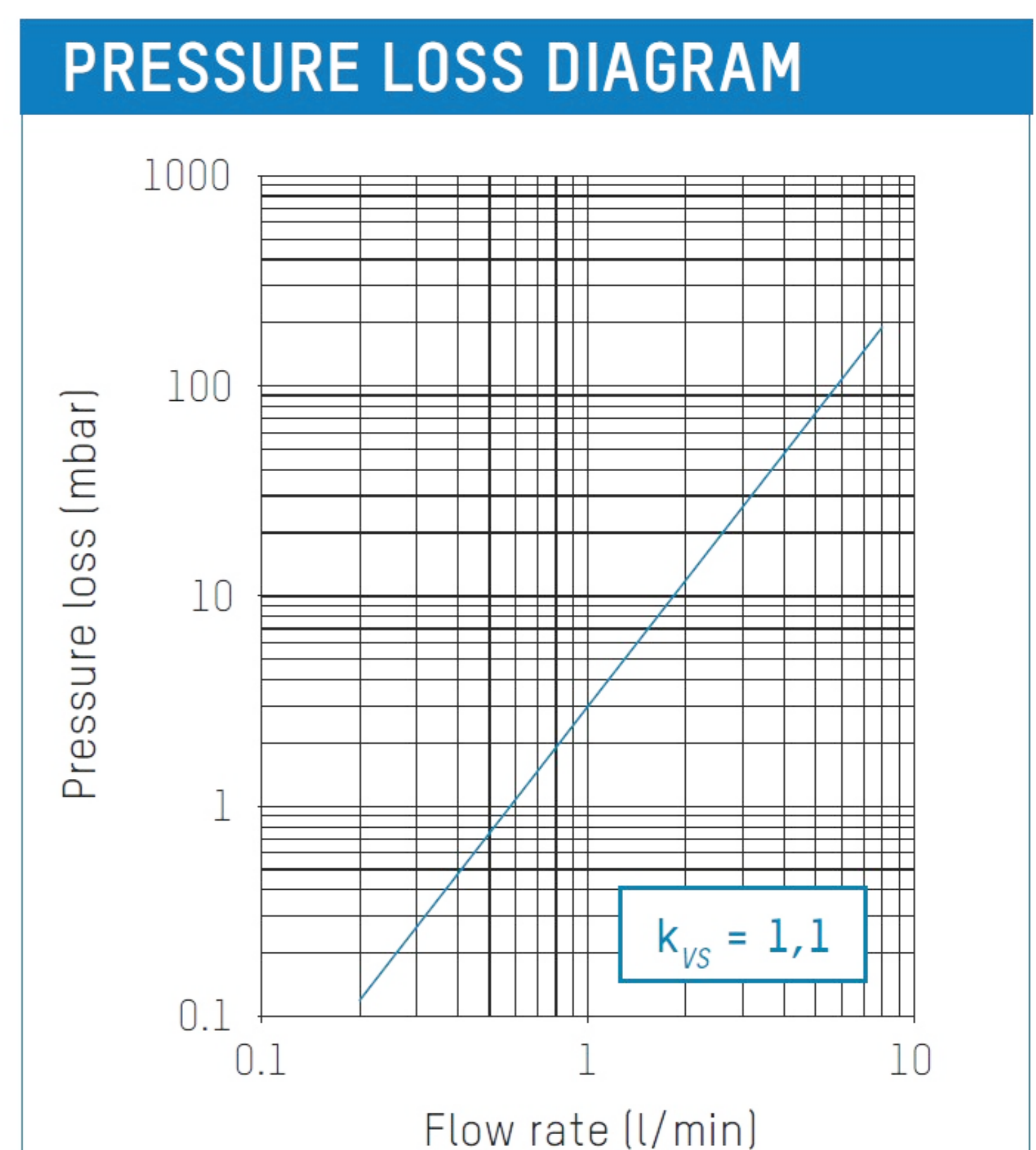
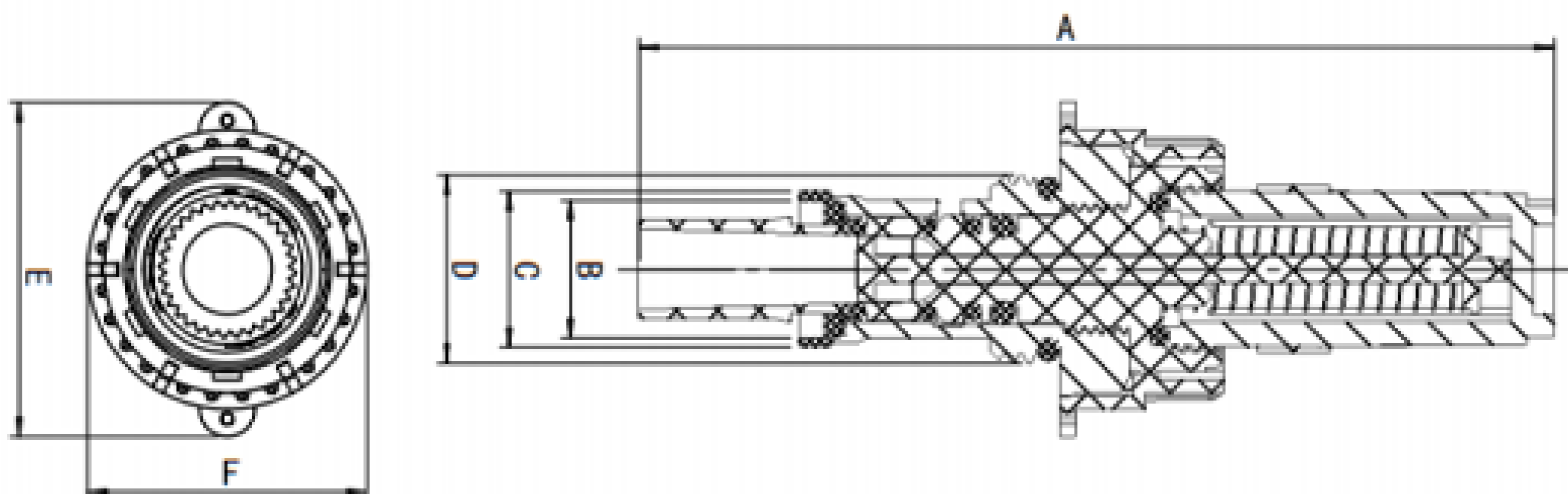
- Connecting thread: G1/2"
- Flow range: 3 L/min
- Maximum working pressure: 10 bar
- Maximum operating temperature: 90°C
- Manually adjustable flow rate

■ Materials

NO.	Components	Material
A	Protective Sleeve	PA6
B	Scale Indicator Ring	PE
C	Black Tube + Flow Tube Assembly	TR90+PA66+EPDM
D	Flow Valve Seat	Hpb57-3
E	Gasket	EPDM
F	O-Ring	EPDM



■ Dimensions



A	B	C	D	E	F
100	Φ15	Φ17	G1/2"	36.5	Φ30.5